

- Work area to be clear prior to installation (width of door and 4 meters back)
- No other persons in the work area during installation
- Inside face on sides and above door to be flush
- Wall and ceiling to be lined prior to installation and all paint/plaster to be completely dry

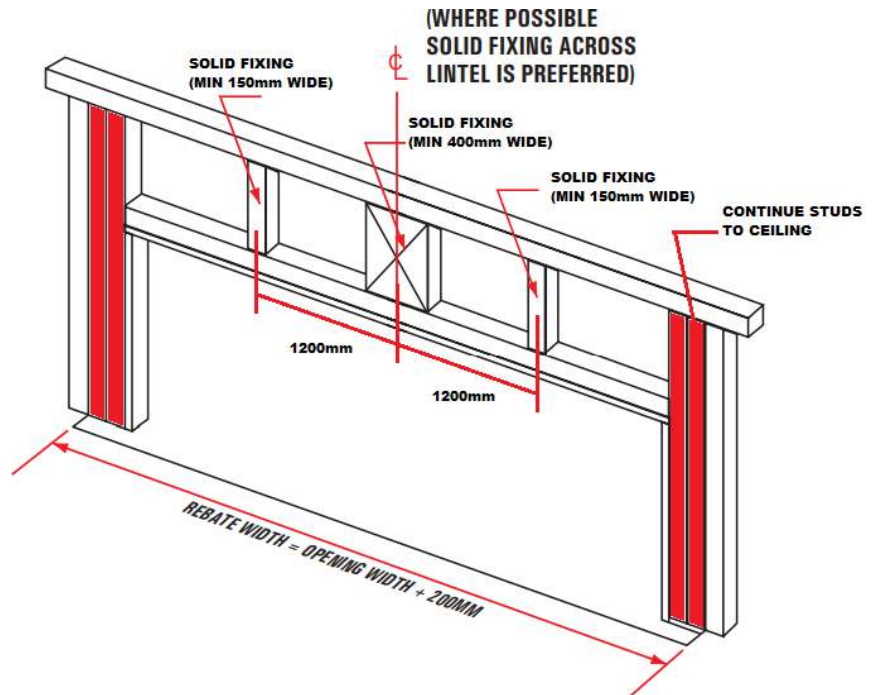
**Warning:** Delays or non installation due failure to adhere to these instructions may incur additional charges.

**Minimum Clearances:**

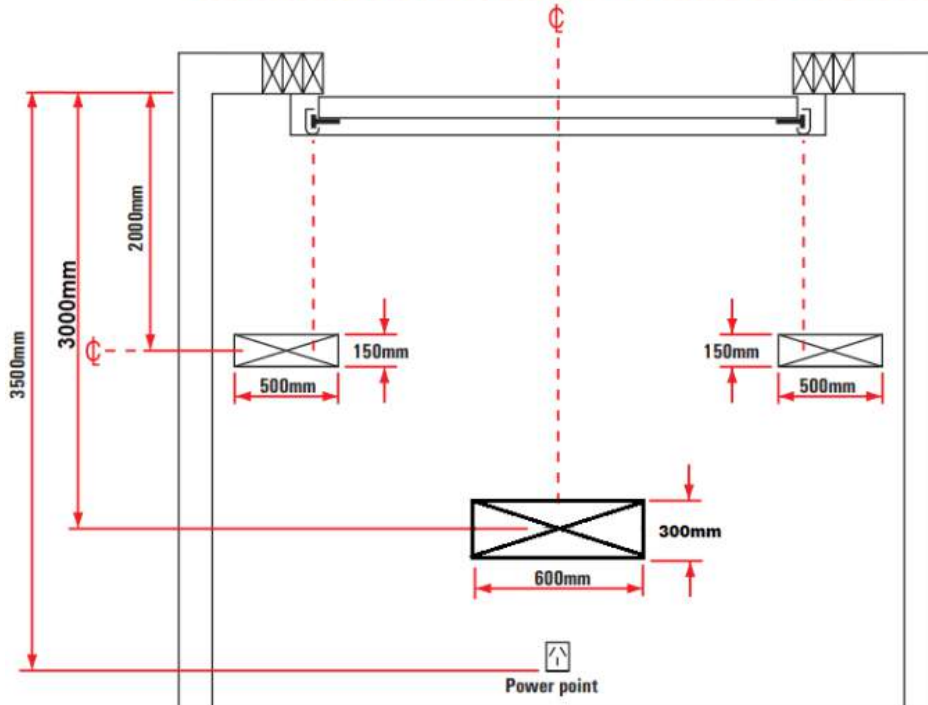
Std Headroom	300mm
Low Headroom	200mm
Sideroom	120mm
Side fixing	90mm
Backspace	Door height + 1m

Rebate 75mm past opening  
75mm back from architrave  
25mm deep

**Note:** Headroom is measured from the underside of the trim to the lowest point. This includes any GIB cover or beams that are lower than the ceiling.



**TRACK AND MOTOR FIXINGS - 4 PANEL UP TO 2450H**



**Site Specific:**

- Lintel:
- Side fixing:
- Ceiling:
- Gib Cove:
- Architraves:
- Trim:
- Rebate: